

# STAB C COMPACT GYRO



**3D READY!**



**FINALLY IN SCANDINAVIA**  
We stabilize your creativity



WITH ARRI 435



WITH RED



IN ACTION



**NEW!**



# Introducing the Cutting Edge of Stabilized Remote Heads

- **Silent in operation**
- **Wireless control option**
- **Stabilized steerable roll axis**
- **Will not radiate E.M.I. into payload**
- **HI-DEF and Fiber-Optic Ready**
- **Fully stable image at the end of a 500mm film lens<sup>Ⓜ</sup>**

Light weight 5 axis GYRO-Stabilized remote head utilizing the latest in Gyro Stabilization Technology.  
Fiber-Optic slip rings and E.M.I. proof technology fully equip this head to handle today's most sophisticated digital and film cameras.

**Helicopters** □ **Camera-Cars** □ **Cable Rigs** □ **Cranes** □ **Boats**

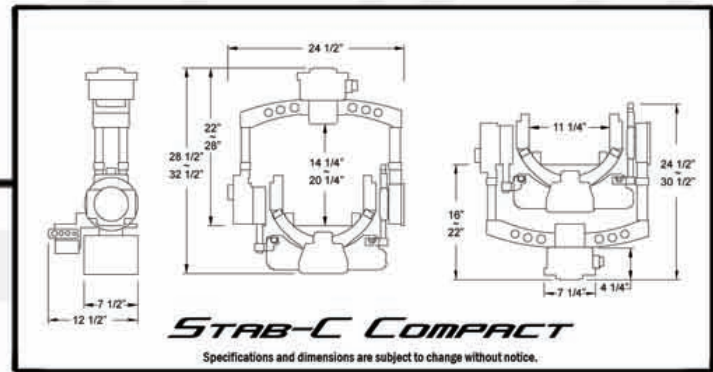
## System Specifications

- |                                    |                                                     |
|------------------------------------|-----------------------------------------------------|
| ■ Gyro-Stabilization               | 5 axis high bandwidth full stabilization            |
| ■ Operational Ranges               | Type 'A' (Low micro-radian)                         |
| Pan                                | 360° continuous □ 120°/sec.                         |
| Tilt                               | 123° □ 60°/sec.                                     |
| Roll                               | +/- 40° max; Steerable or Auto Level □ 60°/sec.     |
| ■ System Orientation               | Hanging or Sitting                                  |
| ■ Max Lens Stabilized <sup>Ⓜ</sup> | 25-500mm Film Lens (Standard)                       |
|                                    | 10-1440mm Video Lens (Advanced-call for details)    |
| ■ Environmental                    | -22°F to 120°F (-30°C to 45°C) Sealed for Rain      |
| ■ Max. Payload Wt.                 | 85 Lbs. (59Kg.)                                     |
| ■ Max. Payload Size                | 11.25"W x 17"H x 34"L (28.6cm x 43cm x 86cm)        |
| ■ System Weight                    | 80 lbs. (36Kg.)                                     |
| ■ Power Requirements               | 24-28 VDC (85 watts standby, 420 watts dynamic max) |
| ■ Targeted Tracking                | Automatic                                           |
| ■ Back Pan Correction              | Automatic/Selectable                                |
| ■ Operator Controls                | Wheels or Joystick                                  |
| ■ Lens Control                     | Preston F1+Z included                               |
| ■ Slip Rings                       | Fiber Optic and Gold Plated                         |

<sup>Ⓜ</sup> Measured under optimal conditions, actual results may vary.

## Cameras Accepted

- Wired to accept most of the Panavision, Arriflex and Moviemcam cameras. (Please call for others)
- All HI-DEF and broadcast video cameras
- Entire range of today's most sophisticated lenses



Blue Sky Aerial & Specialist Filming  
+46-705-189597

[peter@bluesky.se](mailto:peter@bluesky.se)    [www.bluesky.se](http://www.bluesky.se)